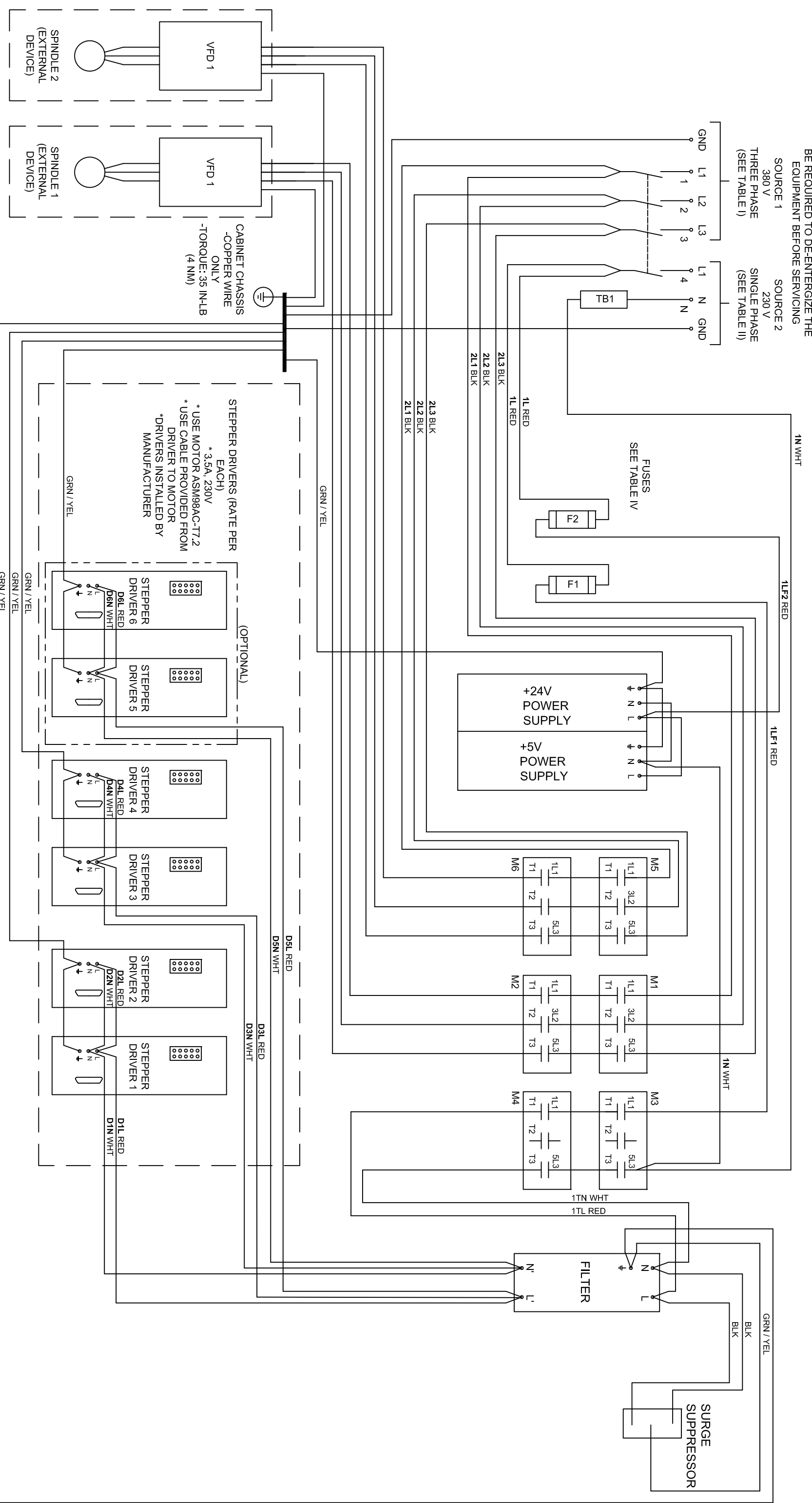


CAUTION: RISK OF ELECTRIC SHOCK
 -MORE THAN ONE DISCONNECT SWITCH MAY BE REQUIRED TO DE-ENERGIZE THE EQUIPMENT BEFORE SERVICING



ALL WIRING, CONDUCTOR SIZE AND CONDUCTOR TYPE DEVIATIONS MUST BE APPROVED BY SHOPBOT TOOLS
 *CONTACT SHOPBOT TOOLS FOR OPTIONAL WIRING INFORMATION

TABLE I
 INPUT SOURCE 1- 380V 3 PHASE 50/60HZ

SPINDLES (FILL IN CIRCLE NEXT TO THE SPINDLES SHIPPED)	TOTAL FULL LOAD	LARGEST MOTOR LOAD	RECOMMENDED FEEDER PROTECTION (INVERSE TIME CIRCUIT BREAKER) (PROVIDED BY ELECTRICIAN)	FIELD WIRING TERMINAL	WIRE SIZE AWG (mm ²)*	SO CORD AWG (mm ²)*	WIRE TYPE *	SCREW TORQUE
0 (2) 3 HP COLUMBO	16.4 A	8.2 A	20 A	DISCONNECT 4 - N, NEUTRAL	14 (2)	14 (2)	75°C USE COPPER CONDUCTORS ONLY	31 IN-LBS (3.5 NM)
0 (2) 5 HP COLUMBO	16.4 A	8.2 A	20 A		14 (2)	14 (2)	75°C USE COPPER CONDUCTORS ONLY	16 IN-LBS (1.8 NM)
0 (1) 5 HP COLUMBO & (1) 3 HP COLUMBO	16.4 A	8.2 A	20 A		14 (2)	14 (2)	75°C USE COPPER CONDUCTORS ONLY	16 IN-LBS (1.8 NM)

TABLE II
 INPUT SOURCE 2- 230V 1 PHASE 50/60HZ

TOTAL FULL LOAD	LARGEST MOTOR LOAD	RECOMMENDED FEEDER PROTECTION (INVERSE TIME CIRCUIT BREAKER) (PROVIDED BY ELECTRICIAN)	FIELD WIRING TERMINAL	WIRE SIZE AWG (mm ²)*	SO CORD AWG (mm ²)*	WIRE TYPE *	SCREW TORQUE
8 A	3.5 A	10 A	DISCONNECT 4 - N, NEUTRAL	14 (2)	14 (2)	75°C USE COPPER CONDUCTORS ONLY	31 IN-LBS (3.5 NM)

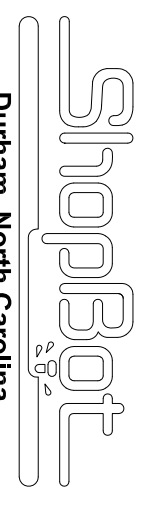
TABLE III
 OUTPUT LOAD: 380V 3 PHASE 50/60HZ

SPINDLE 1 (FILL IN CIRCLE NEXT TO THE SPINDLE SHIPPED)	VFD	LOAD	FIELD WIRING TERMINALS	WIRE SIZE AWG (mm ²)*	SO CORD AWG (mm ²)*	WIRE TYPE *	SCREW TORQUE
0 3 HP COLUMBO	CMR-VU4A009GAA	8.2 A	CONTACTOR M2	12 (3.5)	12 (3.5)	75°C USE COPPER CONDUCTORS ONLY	14 IN-LBS (3.5 NM)
0 5 HP COLUMBO	CMR-VU4A009GAA	8.2 A	T1, T2, T3	12 (3.5)	12 (3.5)	75°C USE COPPER CONDUCTORS ONLY	14 IN-LBS (3.5 NM)
0 3 HP COLUMBO	CMR-VU4A009GAA	8.2 A	CONTACTOR M6	12 (3.5)	12 (3.5)	75°C USE COPPER CONDUCTORS ONLY	14 IN-LBS (3.5 NM)
0 5 HP COLUMBO	CMR-VU4A009GAA	8.2 A	T1, T2, T3	12 (3.5)	12 (3.5)	75°C USE COPPER CONDUCTORS ONLY	14 IN-LBS (3.5 NM)

CAUTION: RISK OF ELECTRIC SHOCK
 -MORE THAN ONE DISCONNECT SWITCH MAY BE REQUIRED TO DE-ENERGIZE THE EQUIPMENT BEFORE SERVICING

TABLE IV
 FUSE NO. RATING

F1	10A CLASS CC-800V (LITTLE FUSE CCMR10A)
F2	3A CLASS CC-600V (LITTLE FUSE CCMR3A)



POWER DIAGRAM 10231-01

REV	CHG NOTICE	DATE	BY	REVISION DESCRIPTION	APVD	PART NUMBER	SHEET 1 OF 1
0	EC0#308	1DEC12	KWP	ADDED SO CORD, CHANGED CIRCUIT PROTECTION RATINGS	-	003198-00	1

DRAWN	DATE	CHECKED	DATE	APPROVED	DATE
KWP	11/16/12	BSJ	1/15/13	GAB	1/15/13

003198-00