

4

3

2

1

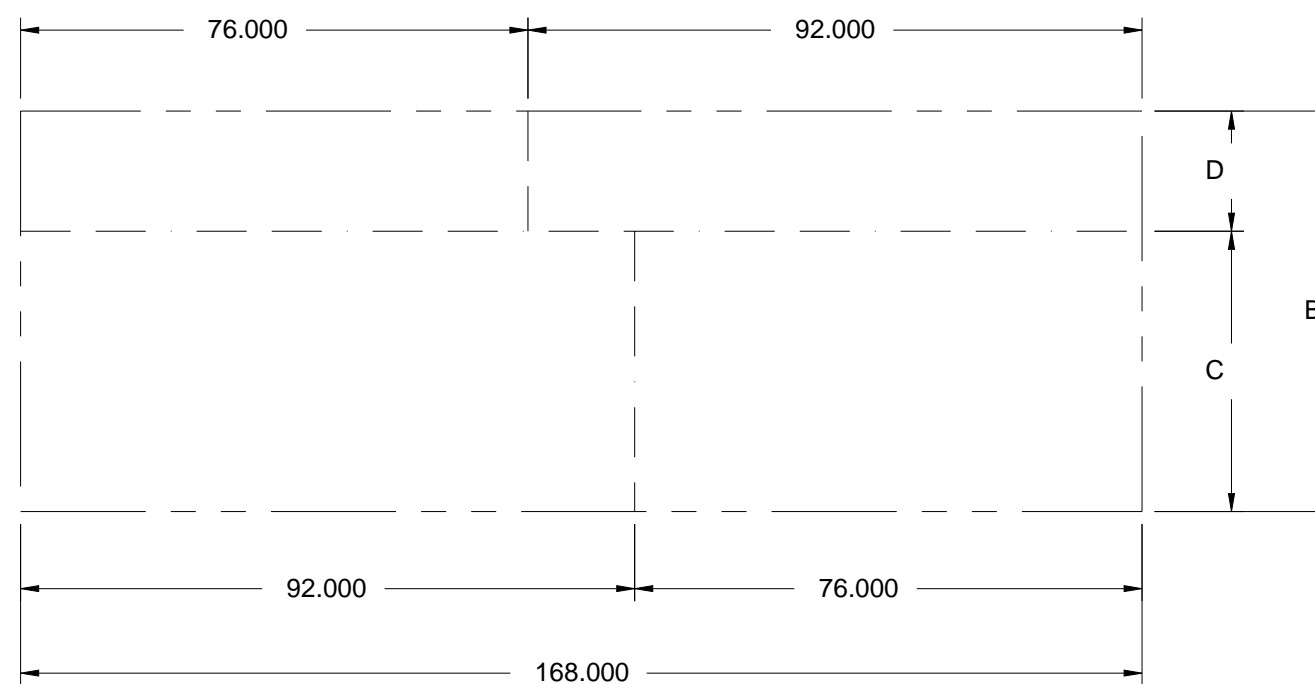
Table 1:

| Item No | Qty | Part Number | Description |
|---------|-----|-------------|------------------------|
| 1 | 2 | 001567-01 | TABLE SIDE 168E |
| 2 | 8 | 000919-01 | TABLE LEG 6E |
| 3 | 8 | 000770 | TABLE GUSSET |
| 4 | 6 | See Table 2 | TABLE SUPPORT UPPER |
| 5 | 4 | See Table 2 | TABLE SUPPORT LOWER |
| 6 | 6 | See Table 2 | TABLE SUPPORT CROSS |
| 7 | 8 | 002926 | LEVELER |
| 8 | 8 | 000160-01 | NUT HEX 5/8-11 Z5 |
| 9 | 152 | 002498 | T-nut 5/16-18 |
| 10 | 114 | 000529 | HCS 5/16-18 X 3/4 Z5 |
| 11 | 114 | 000848 | Washer Flat 5/16 Z USS |
| 12 | 66 | 004487 | Washer Schnorr 5/16 |
| 13 | 58 | 001956-01 | HCS 1/2-13 X 1 1/2 Z5 |
| 14 | 58 | 000440-01 | NUT HEX 1/2-13 Z |
| 15 | 114 | 000029-01 | WASHER FLAT 1/2 USS Z |
| 16 | 58 | 000588 | WASHER LOCK 1/2 Z |
| 17 | 8 | 001539-01 | TABLE SIDE END CAP |

NOTE:
Deck overhang should be: 1.75"
(or 2.75" for Automatic Tool
Changer spindles)

Table Home
(0,0)

6.75
DECK ONLY



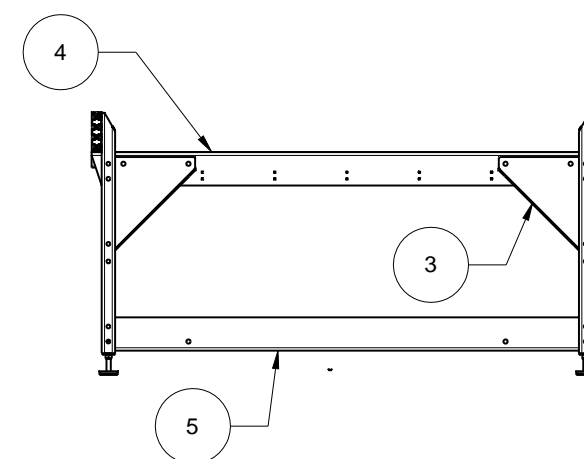
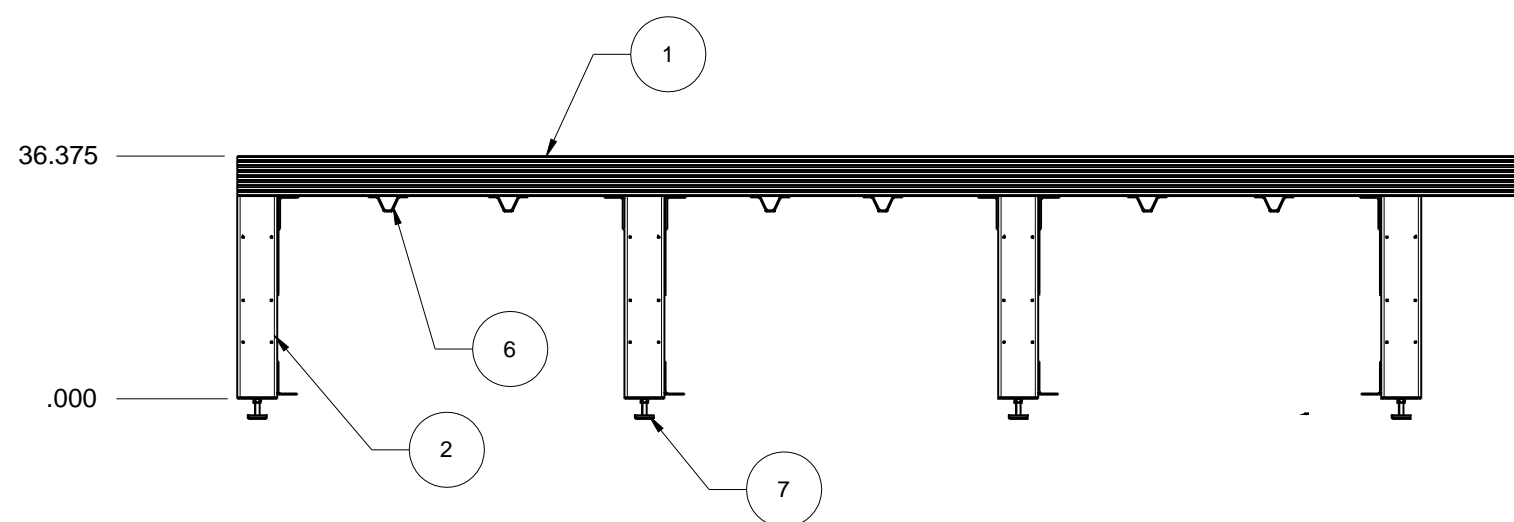
VIEW A
SEE NOTE 2

Table 2: Deck support parts and deck dimensions

| Table Size | Table P/N | Dimension | | | | Part Number | | |
|------------|-----------|-----------|-----|-----|-----|-------------|-----------|-----------|
| | | A | B | C | D | 4 | 5 | 6 |
| 168-32-8S | 10713-01 | 48.5" | 32" | 32" | | 002332-01 | 002333-01 | 003090-01 |
| 168-48-8S | 10714-01 | 64.5" | 48" | 48" | | 000915-01 | 000921-01 | 000926-01 |
| 168-60-8S | 10715-01 | 76.5" | 60" | 42" | 18" | 001486-01 | 001487-01 | 001485-01 |
| 168-72-8S | 10716-01 | 88.5" | 72" | 48" | 24" | 001881-01 | 001882-01 | 001880-01 |

Table 3: Deck hardware quantity

| Table Size | Bolt Carriage 3/8-16 X 1 1/2 | Nut Hex 3/8 Z | Washer Flat 3/8 USS Z | Washer Lock 3/8 Z |
|------------|------------------------------|---------------|-----------------------|-------------------|
| | 000953-01 | 000452-01 | 000444-01 | 000092-01 |
| 168-32-8S | 72 | 72 | 72 | 72 |
| 168-48-8S | 90 | 90 | 90 | 90 |
| 168-60-8S | 108 | 108 | 108 | 108 |
| 168-72-8S | 144 | 144 | 144 | 144 |



NOTES:
1. ALL DIMENSIONS ARE IN INCHES.
2. RECOMMENDED SIZE AND ORIENTATION
OF DECK MATERIAL.

DIM UNITS: IN SCALE: NONE

THIS DOCUMENT CONTAINS CONFIDENTIAL INFORMATION OF SHOPBOT TOOLS. IT IS NOT TO BE REPRODUCED BY ANY MEANS OR USED TO FURNISH INFORMATION TO OTHERS WITHOUT THE EXPRESS CONSENT TO THE OWNER. THE INFORMATION SHALL BE USED BY RECIPIENTS ONLY AS EXPRESSLY APPROVED BY OWNER AND THIS DOCUMENT SHALL BE RETURNED TO OWNER UPON REQUEST. ©2008, SHOPBOT TOOLS, INC., ALL RIGHTS RESERVED



| | | | |
|--------------------------------|-----------------------------------|--------------|-----------------|
| TITLE Table 168 8S | | | |
| DRAWN KWP | DATE 18MAY11 | CHECKED | APPROVED |
| SIZE C | DRAWING NUMBER SBG00387 | | REV 3 |
| PART NUMBER SBG00387 | | SHEET 1 OF 1 | |

| REV | CHG NOTICE | DATE | BY | REVISION DESCRIPTION |
|-----|------------|---------|-----|---|
| 3 | ECO 417 | 4/17/17 | DJP | Updated Leg and Table Position for PRS4 |

APVD

4

3

2

1