

4

3

2

1

D

D

C

C

B

B

A

A

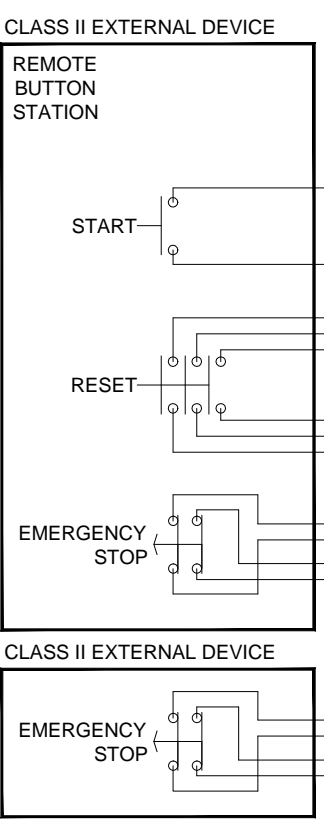
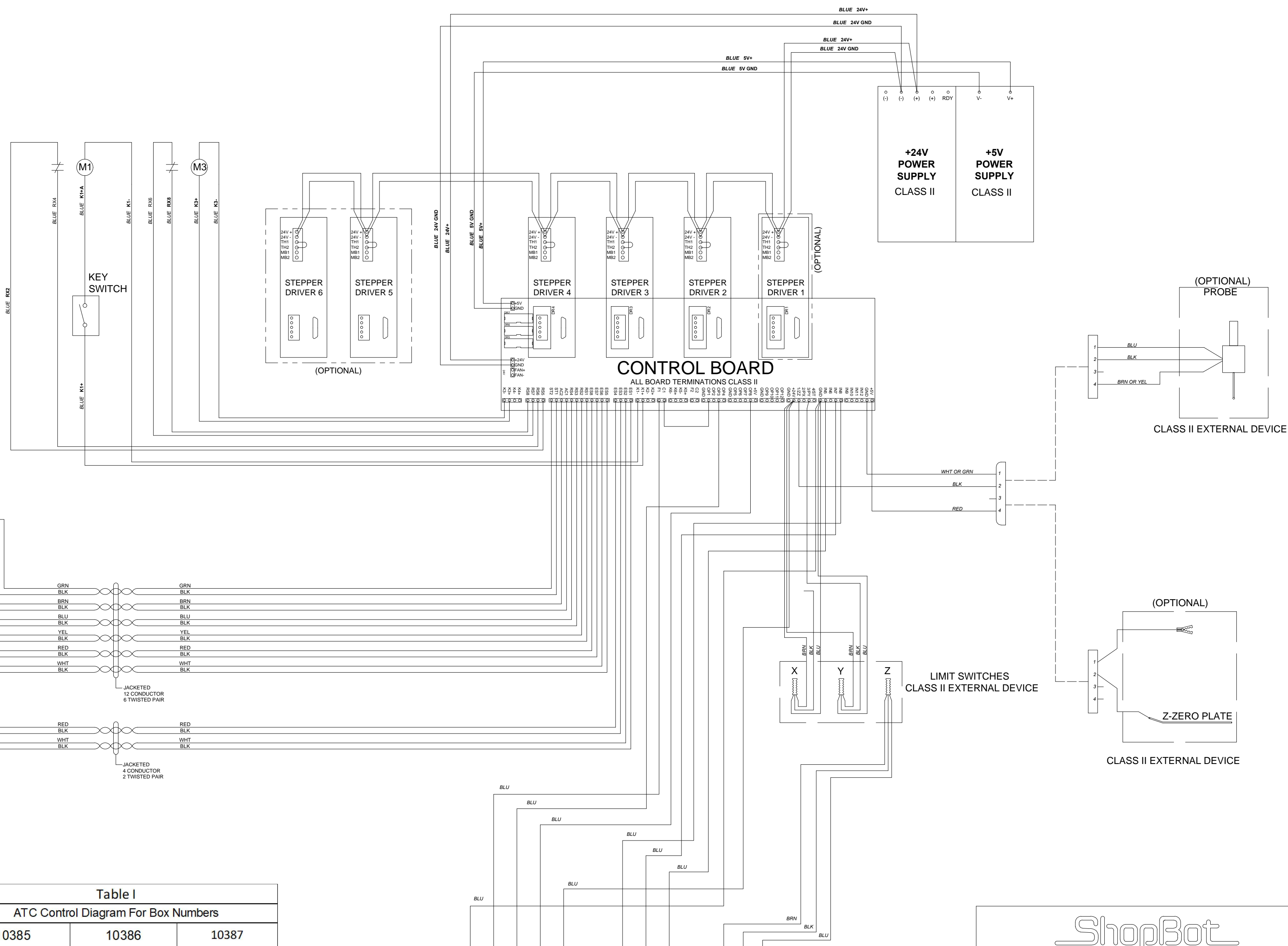


Table I		
ATC Control Diagram For Box Numbers		
10385	10386	10387

01 02 03 04 05 11 12 13 Z1 Z2 Z3
To ATC Interface Board (Sheet 2)

DIM UNITS: MM SCALE: NONE
THIS DOCUMENT CONTAINS CONFIDENTIAL INFORMATION OF SHOPBOT TOOLS. IT IS NOT TO BE REPRODUCED BY ANY MEANS OR USED TO FURNISH INFORMATION TO OTHERS WITHOUT THE EXPRESS CONSENT TO THE OWNER. THE INFORMATION SHALL BE USED BY RECIPIENTS ONLY AS EXPRESSLY APPROVED BY OWNER AND THIS DOCUMENT SHALL BE RETURNED TO OWNER UPON REQUEST.
©2008, SHOPBOT TOOLS, INC., ALL RIGHTS RESERVED

ShopBot
Durham, North Carolina

CONTROL DIAGRAM - ATC (Domestic)

TITLE	CONTROL DIAGRAM - ATC (Domestic)		
DRAWN	DATE	CHECKED	DATE
DJP	07/07/16	-	-
APPROVED	DATE		
-	-		
SIZE	DRAWING NUMBER	REV	
C	005046	0	
PART NUMBER	005046	SHEET 1 OF 2	

0	-			INITIAL RELEASE
REV	CHG NOTICE	DATE	BY	REVISION DESCRIPTION

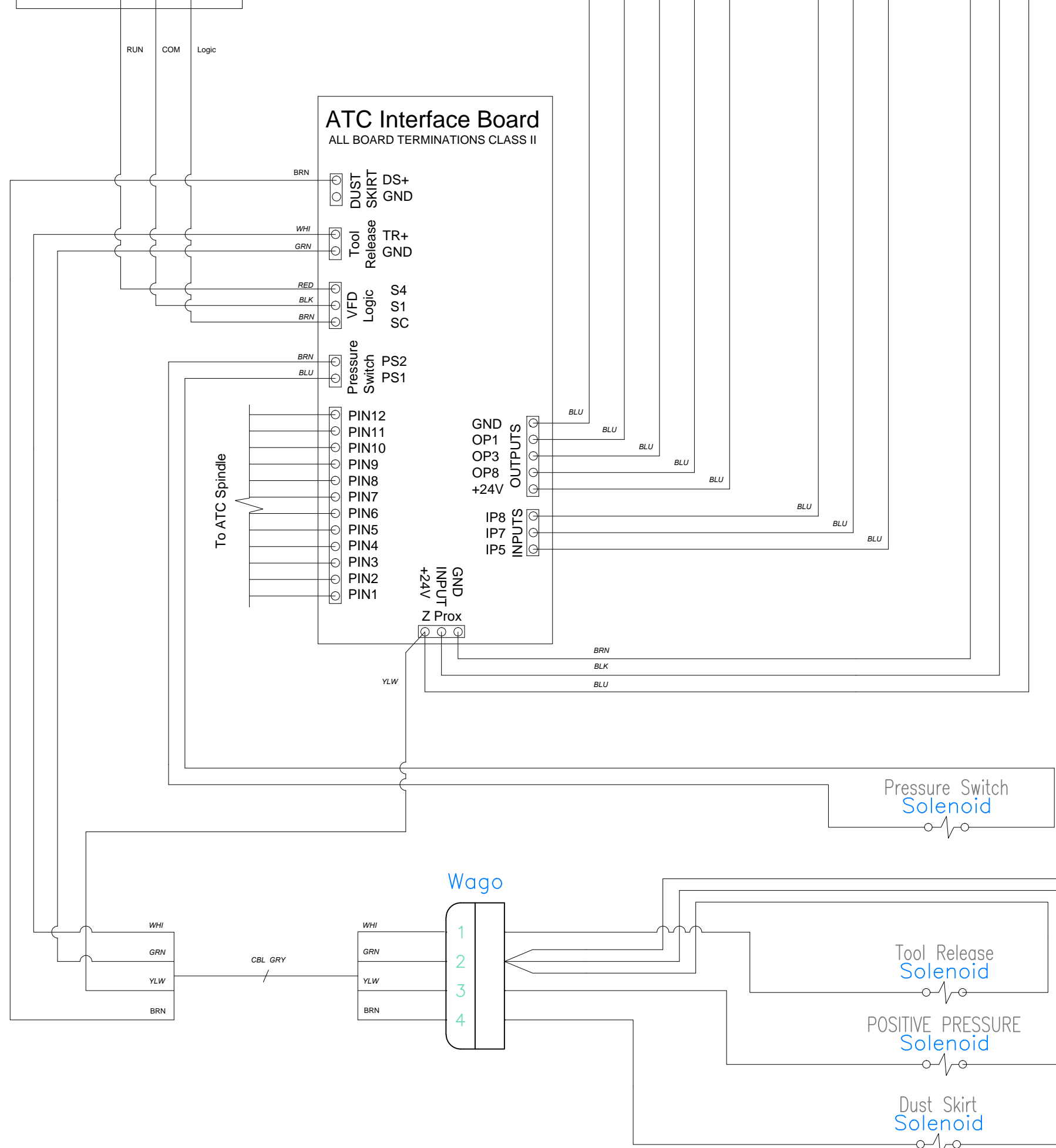
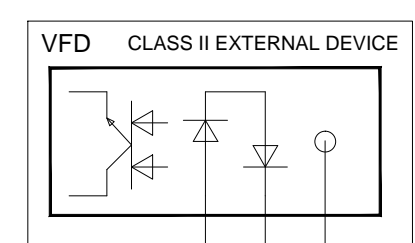
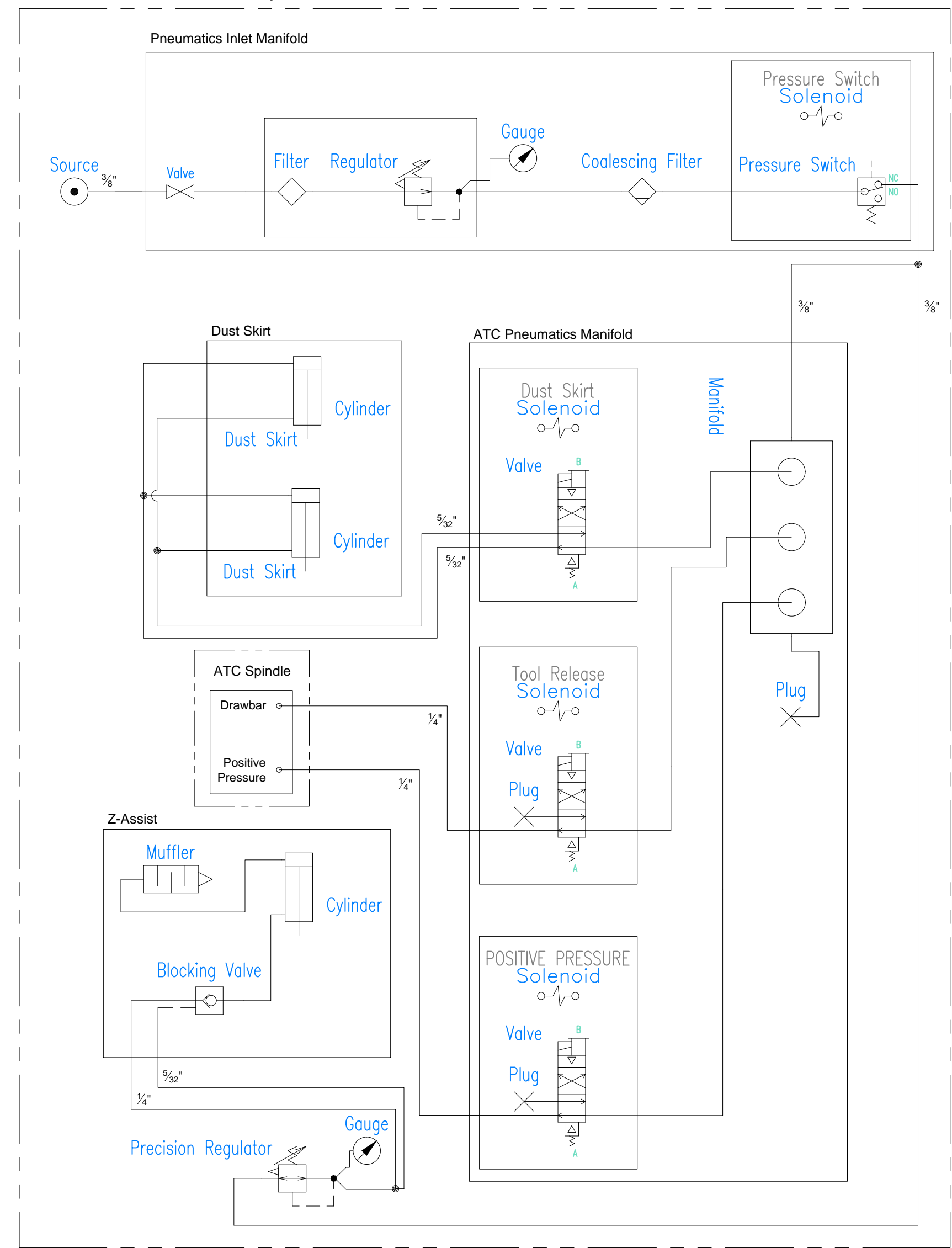
4

3

2

1

ATC Pneumatics System



Refer to corresponding Solenoids on Pneumatics Diagram



DIM UNITS: MM SCALE: NONE
 THIS DOCUMENT CONTAINS CONFIDENTIAL INFORMATION OF SHOPBOT TOOLS. IT IS NOT TO BE REPRODUCED BY ANY MEANS OR USED TO FURNISH INFORMATION TO OTHERS WITHOUT THE EXPRESS CONSENT OF THE OWNER. THE INFORMATION SHALL BE USED BY RECIPIENTS ONLY AS EXPRESSLY APPROVED BY OWNER AND THIS DOCUMENT SHALL BE RETURNED TO OWNER UPON REQUEST.
 ©2008, SHOPBOT TOOLS, INC., ALL RIGHTS RESERVED

TITLE		CONTROL DIAGRAM - ATC (Domestic)			
DRAWN	DATE	CHECKED	DATE	APPROVED	DATE
DJP	07/07/16	-	-	-	-
SIZE	DRAWING NUMBER		REV		
C	005046		0		
PART NUMBER		005046		SHEET 2 OF 2	

0	-			INITIAL RELEASE
REV	CHG NOTICE	DATE	BY	REVISION DESCRIPTION

D
C
B
A

D
C
B
A

4

3

2

1

4

3

2

1