

4

3

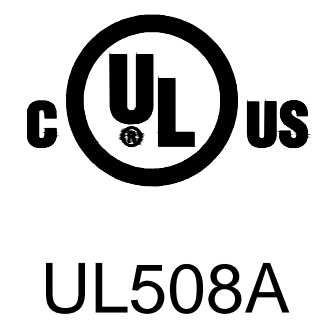
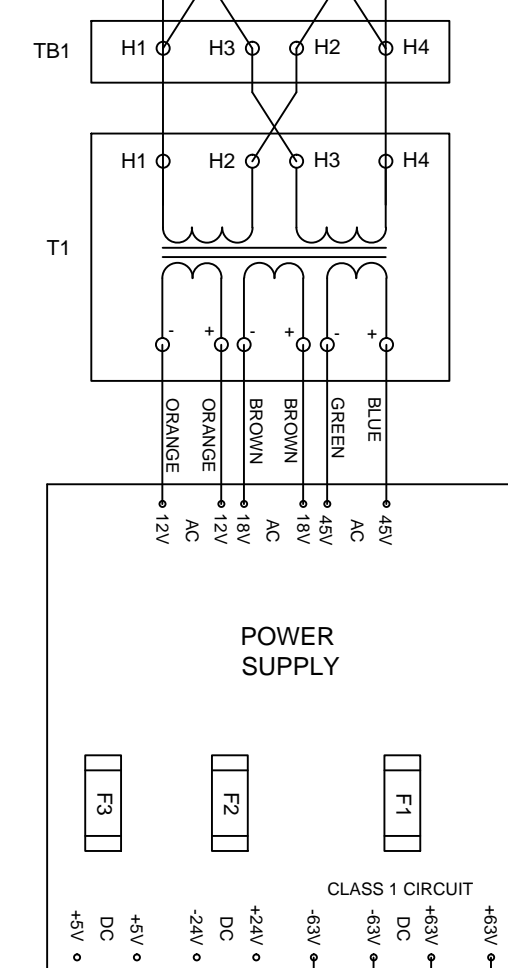
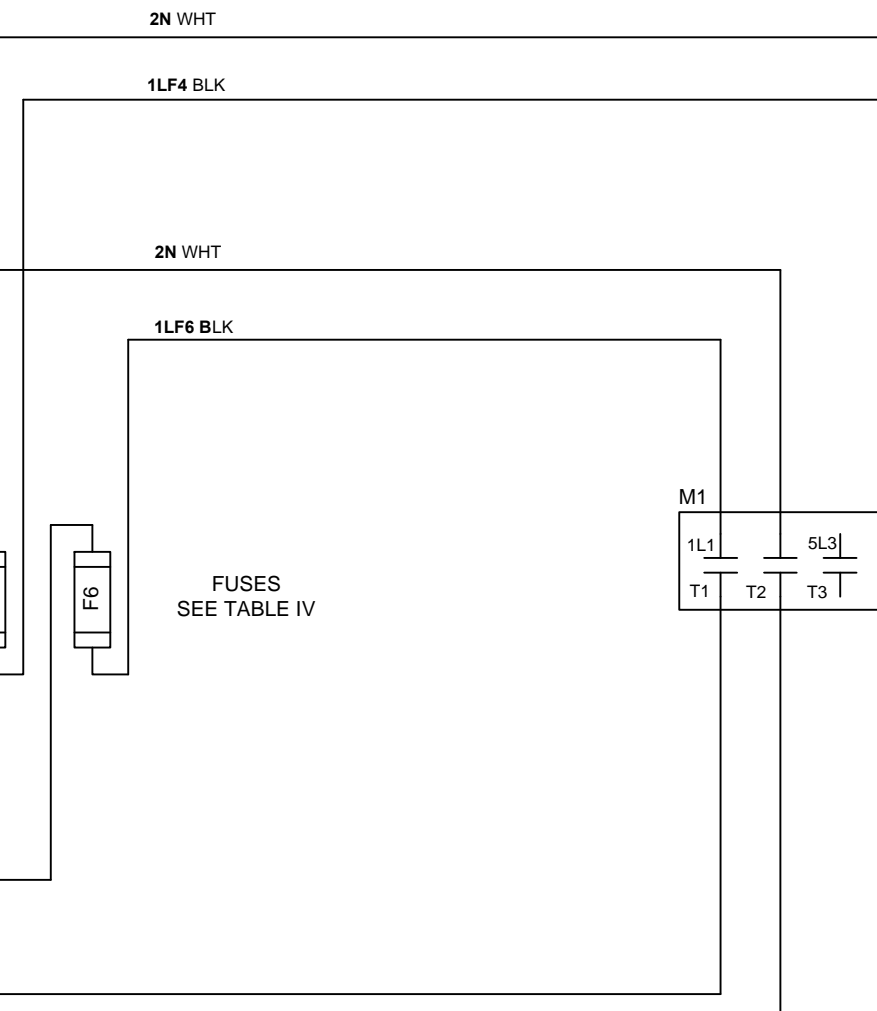
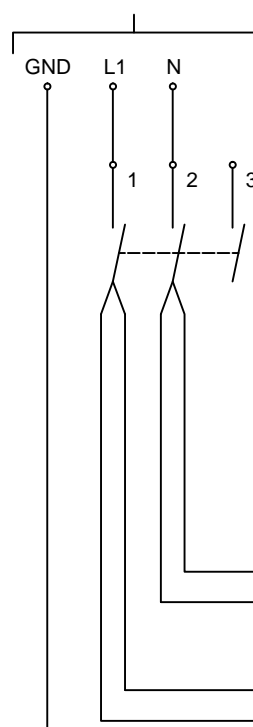
2

1

CONTROL BOX 10257 & 10263

\*CAUTION-RISK OF ELECTRIC SHOCK\*

SOURCE 1  
120 V  
SINGLE PHASE  
(SEE TABLE I)



D

D

C

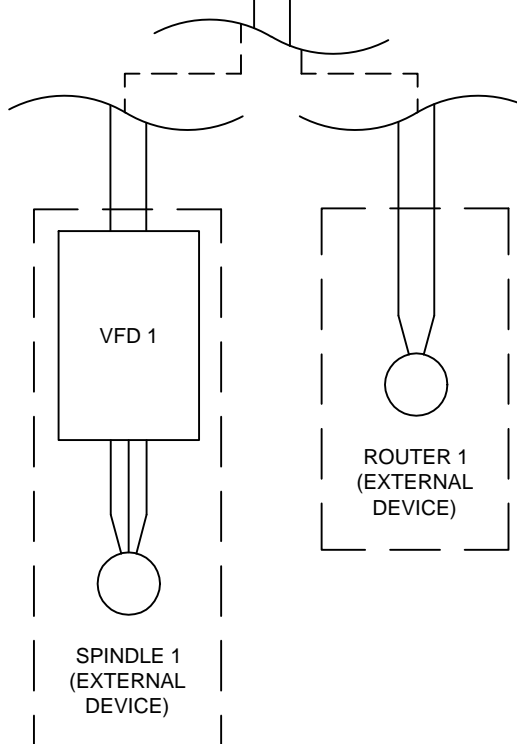
C

B

B

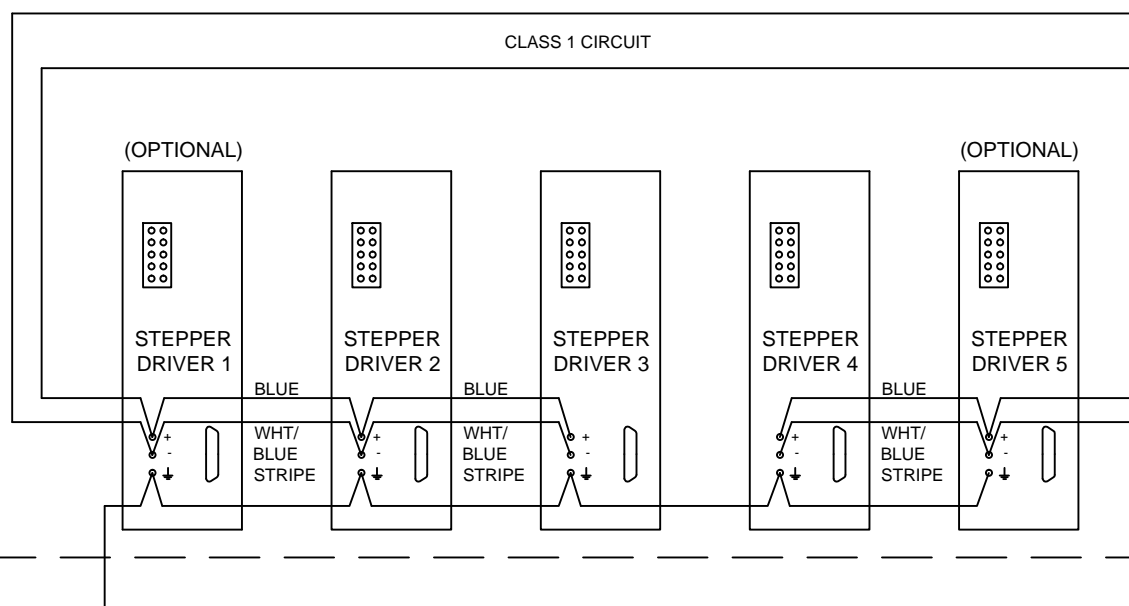
A

A



CABINET CHASSIS  
-COPPER WIRE  
ONLY  
-TORQUE: 35 IN-LB  
(4 NM)

ORIENTAL MOTOR C006Q-044  
STEPPER DRIVERS  
(RATE PER EACH)  
\* 2A, 63VDC  
\* USE MOTOR A7328-9412KTG  
\* USE CABLE PROVIDED FROM  
DRIVER TO MOTOR  
\* DRIVERS INSTALLED BY  
MANUFACTURER



ALL WIRING, CONDUCTOR SIZE AND CONDUCTOR TYPE DEVIATIONS MUST BE APPROVED BY SHOPBOT TOOLS  
\*CONTACT SHOPBOT TOOLS FOR OPTIONAL WIRING INFORMATION

TABLE I

INPUT SOURCE 1: 120V 1 PHASE 60HZ										
TOTAL FULL LOAD	LARGES T MOTOR LOAD	RECOMMENDED BRANCH PROTECTION (INVERSE TIME CIRCUIT BREAKER)(PROVIDED BY INSTALLER)			FIELD WIRING TERMINALS	WIRE SIZE (AWG) *	WIRE TYPE *	SO CORD	SCREW TORQUE	
10257	20 A	15 A	20 A			DISCONNECT 1, 2	12	75 C COPPER WIRE ONLY	12	25 IN-LBS (2.8 NM)
10263	20 A	15 A	20 A				12			

\*CAUTION-RISK OF ELECTRIC SHOCK\*

TABLE III

OUTPUT LOADS							
120 V	1 PHASE	60 Hz	LOAD				
			FIELD WIRING TERMINALS	SO CORD	WIRE TYPE *	SCREW TORQUE	
10257	ROUTER 1	N/A	15 A	CONTACTOR M1- T1, T2	12	COPPER WIRE ONLY	17.5 IN-LBS (2 NM)
10263	1 HP HSD (AT/MT 1055-090)	VFD007S11B	15 A		12		

TABLE IV

FUSE NO.	RATING
F1	10A GLASS FUSE 250VAC 5X20MM (LITTELFUSE 0218010.HXP)
F2	2A GLASS FUSE 250VAC 5X20MM (LITTELFUSE 0217002.HXP)
F3	1A GLASS FUSE 250VAC 5X20MM (LITTELFUSE 0217001.HXP)
F4	8A CLASS RK5 (LITTELFUSE FLSR008.T)
F6	15A CLASS CC (LITTELFUSE CCMR15A)

DIM UNITS: MM SCALE: NONE

THIS DOCUMENT CONTAINS CONFIDENTIAL INFORMATION OF SHOPBOT TOOLS. IT IS NOT TO BE REPRODUCED BY ANY MEANS OR USED TO FURNISH INFORMATION TO OTHERS WITHOUT THE EXPRESS CONSENT TO THE OWNER. THE INFORMATION SHALL BE USED BY RECIPIENTS ONLY AS EXPRESSLY APPROVED BY OWNER AND THIS DOCUMENT SHALL BE RETURNED TO OWNER UPON REQUEST. ©2008, SHOPBOT TOOLS, INC., ALL RIGHTS RESERVED



TITLE <b>POWER DIAGRAM 10257 STD &amp; 10263 STD</b>			
DRAWN <b>GAB</b>	DATE 3/21/18	CHECKED	DATE
APPROVED	DATE	REV <b>1</b>	
SIZE <b>C</b>	DRAWING NUMBER <b>005339-00</b>	PART NUMBER 005339-01	
SHEET 1 OF 1			

REV	CHG NOTICE	DATE	BY	REVISION DESCRIPTION
1		4/2/19	GAB	Update fuse table to FLSR type fuse for transformer

4

3

2

1