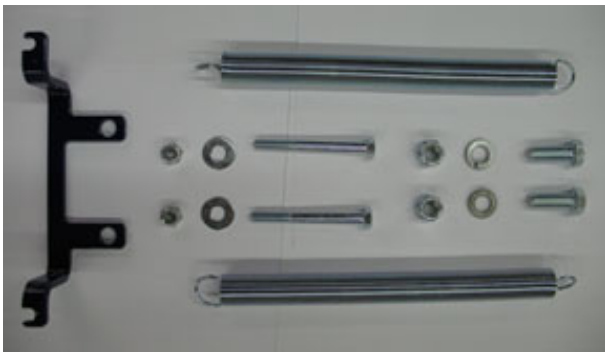




PRT Spring Mount Upgrade

Parts Lists

2.2 HP Porter Cable Router Kit (Part # 17540)



Qty	Part #	Description
2	002242	Spring Extension 6.95"
2	000533	3/8-16x1" Bolts (part of 17452)
2	000092	3/8" Lock Washers (part of 17452)
2	000453	3/8-16 Nuts (part of 17452)
2	000525	1/4-20x2 1/2" Bolts (part of 17452)
4	000849	1/4" Flat Washers (part of 17452)
2	000454	1/4-20 Nylock Hex Nuts (part of 17452)
1	000389	Spring Mount Bracket (part of 17452)

3HP Colombo and 4HP HSD Kit (Part # 17541)



Qty	Part #	Description
2	002243	Spring Extension 9.23"
2	000533	3/8-16x1" Bolts (part of 17452)
2	000092	3/8" Lock Washers (part of 17452)
2	000453	3/8-16 Nuts (part of 17452)
2	000525	1/4-20x2 1/2" Bolts (part of 17452)
4	000849	1/4" Flat Washers (part of 17452)
2	000454	1/4-20 Nylock Hex Nuts (part of 17452)
1	000389	Spring Mount Bracket (part of 17452)

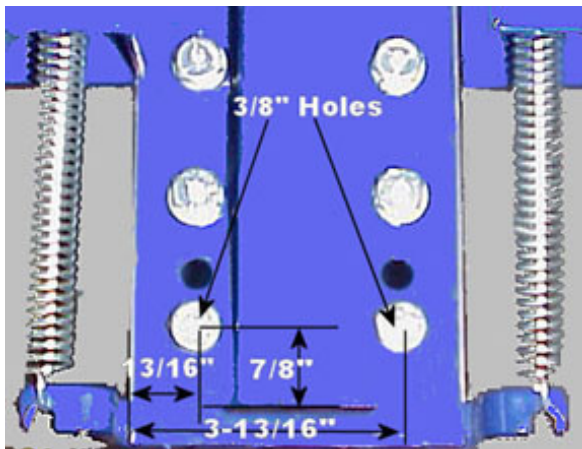
5HP Colombo Kit (Part # 17542)



Qty	Part #	Description
2	002244	Spring Extension 10.93"
2	000533	3/8-16x1" Bolts (part of 17452)
2	000092	3/8" Lock Washers (part of 17452)
2	000453	3/8-16 Nuts (part of 17452)
2	000525	1/4-20x2 1/2" Bolts (part of 17452)
4	000849	1/4" Flat Washers (part of 17452)
2	000454	1/4-20 Nylock Hex Nuts (part of 17452)
1	000389	Spring Mount Bracket (part of 17452)

Installation Instructions

Step 1: Drill Mounting Bracket Holes



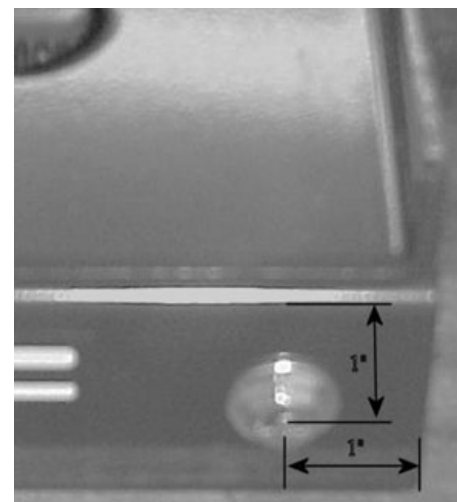
Drill two 3/8" holes approximately 7/8" inches from the bottom, one 13/16" and one 3-13/16" from the left edge of the T-frame (see left).

Mount the extension spring mounting bracket with the 3/8" hardware.

Step 2: Drill Top Holes

Drill two 1/4" holes 1" from the top and 1" from the side of the Z-axis.

Step 3: Mount Spring Top



Insert 1/4" bolt halfway through 1/4" holes drilled in the previous step.

Slide the bolt through the spring hook and the second hole and secure it with the washer and lock nut.

Step 4: Mount the Spring Bottom

Use a spring puller to guide and connect the spring to the spring mount.

