

CONTROL DIAGRAM - D3624/D2418 DT3

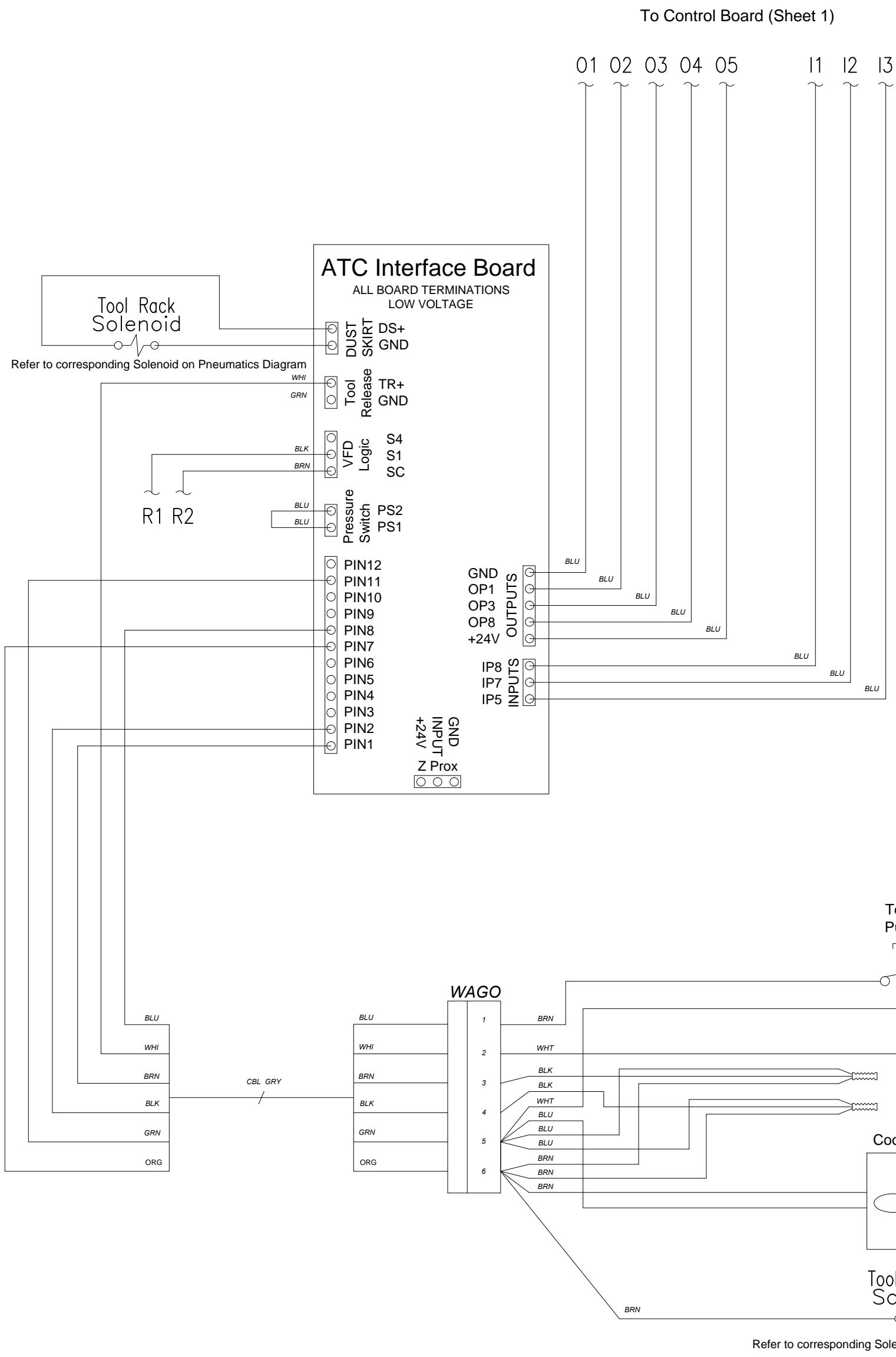
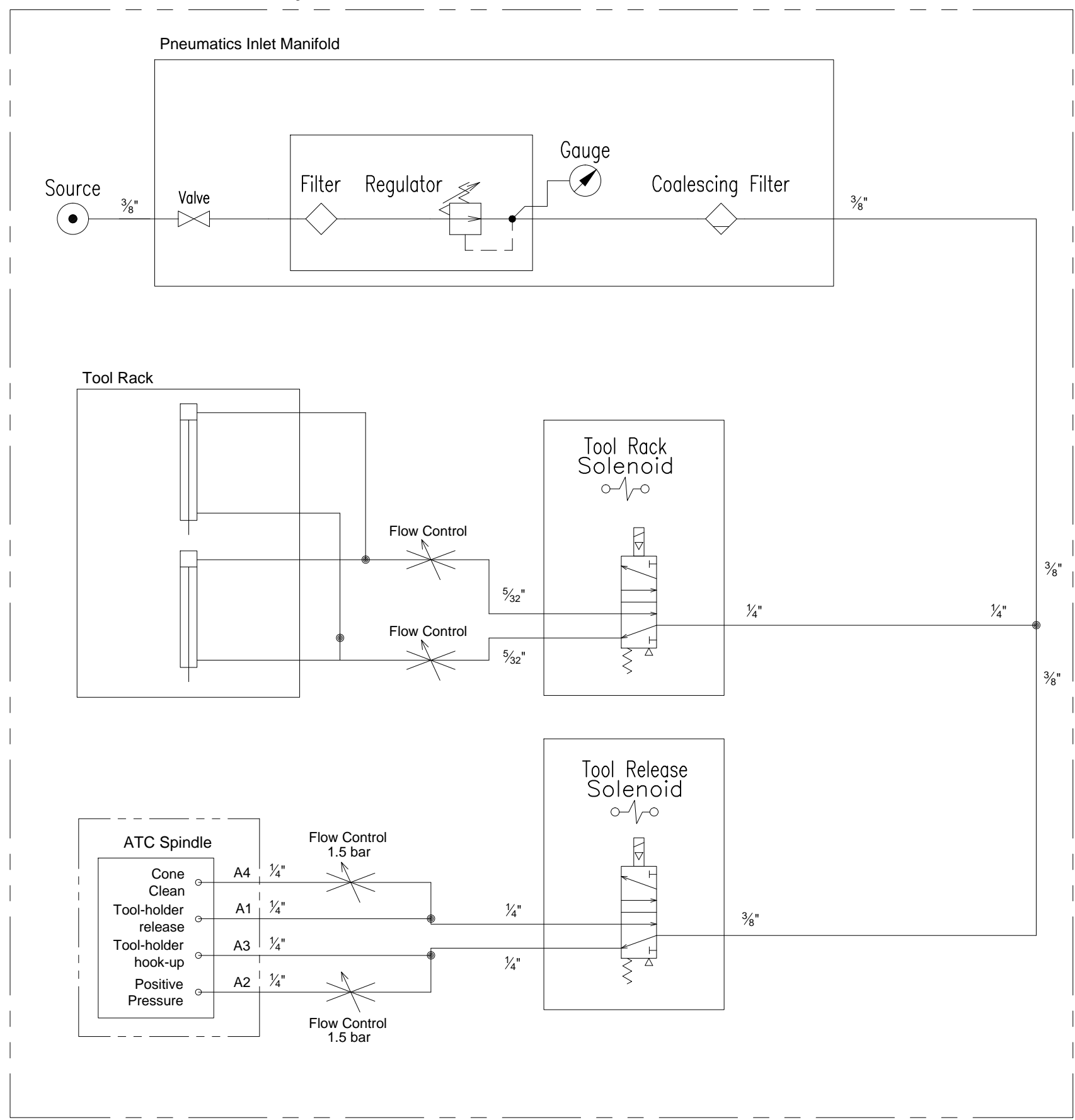


DIM UNITS: MM SCALE: NONE
 THIS DOCUMENT CONTAINS CONFIDENTIAL INFORMATION OF SHOPBOT TOOLS. IT IS NOT TO BE REPRODUCED BY ANY MEANS OR USED TO FURNISH INFORMATION TO OTHERS WITHOUT THE EXPRESS CONSENT OF THE OWNER. THE INFORMATION SHALL BE USED BY RECIPIENTS ONLY AS EXPRESSLY APPROVED BY OWNER AND THIS DOCUMENT SHALL BE RETURNED TO OWNER UPON REQUEST.
 ©2008, SHOPBOT TOOLS, INC., ALL RIGHTS RESERVED

| | | | | | |
|-------------|----------------|---------------------------------------|------|----------|------|
| TITLE | | CONTROL DIAGRAM - D3624_D2418 DT3 ATC | | | |
| DRAWN | DATE | CHECKED | DATE | APPROVED | DATE |
| GAB | 04/15/19 | - | - | - | - |
| SIZE | DRAWING NUMBER | | REV | | |
| C | 006019 | | 0 | | |
| PART NUMBER | | SHEET 1 OF 2 | | | |
| 006019 | | | | | |

| | | | | |
|-----|------------|------|----|----------------------|
| 0 | - | | | INITIAL RELEASE |
| REV | CHG NOTICE | DATE | BY | REVISION DESCRIPTION |

ATC Pneumatics System



DIM UNITS: MM SCALE: NONE
 THIS DOCUMENT CONTAINS CONFIDENTIAL INFORMATION OF SHOPBOT TOOLS. IT IS NOT TO BE REPRODUCED BY ANY MEANS OR USED TO FURNISH INFORMATION TO OTHERS WITHOUT THE EXPRESS CONSENT OF THE OWNER. THE INFORMATION SHALL BE USED BY RECIPIENTS ONLY AS EXPRESSLY APPROVED BY OWNER AND THIS DOCUMENT SHALL BE RETURNED TO OWNER UPON REQUEST.
 ©2008, SHOPBOT TOOLS, INC., ALL RIGHTS RESERVED

| | | | | | |
|---|---------------------------------|---------|-----------------|----------|------|
| TITLE CONTROL DIAGRAM - D3624_D2418 DT3 ATC | | | | | |
| DRAWN GAB | DATE 04/15/19 | CHECKED | DATE | APPROVED | DATE |
| SIZE C | DRAWING NUMBER 006019 | | REV 0 | | |
| PART NUMBER 006019 | | | SHEET 2 OF 2 | | |

| | | | | |
|-----|------------|------|----|------------------------|
| 0 | - | | | INITIAL RELEASE |
| REV | CHG NOTICE | DATE | BY | REVISION DESCRIPTION |

D
C
B
A

D
C
B
A

4

3

2

1

4

3

2

1