

V200:

Initial version based on C8051F120 processor.

V201:

Changed J4 part number.
Added status LED D2.
Connected AVDD, AGND and VREF pins on U2.
Changed J3 to USB type B.
Deleted R3.
Added standard RS232 I/O for debugging.
Changed power connections to U7.
Added USB connection LED, D3.
Added PCB and FIRMWARE parts for BOM.
Changed part numbers for J4 and J1.

V202:

Changed connector data for ROHS.
Changed J4 to non-shrouded version.
Changed signal names and connections per ShopBot list.
Added analog inputs and outputs.
Added additional digital inputs and outputs.
Changed R19 to 150 ohms.
Changed U7 to CP2103 and connected GPIO pins to read +5V status and generate processor reset.
Added 32KB external memory, U13.

V203:

Removed U3, U4, U5 and U10 due to discontinuance.
Added NC7WZ16 parts replacements.

V204:

Changed the version so as to minimize confusion with other ShopBot boards.

V205:

Added R30..R57 pulldowns.

V206:

Moved vias that were in pads of C14, C17, C21, C32, C34 and C16.

V207:

Added U25, U26, D4.
Changed U9 to CP2110.
Changed TP1, TP2 to SMT.
Moved TP3.
Added TP4, TP5, TP6.

V208:

Added U25, U26, D4.
Changed U9 to CP2103.
Changed TP1, TP2 to SMT.
Moved TP3.
Added TP4, TP5, TP6.
Removed C35.

V209:

Changed U16 part number.
Removed D4.
Added R63.
Changed C1 to 1uF.

V210:

Changed signal INDX1 to IN14
Changed signal INDX3 to OUT14
Deleted U12, R60 and R61
Changed P26 and P27 to inputs
Added C35, C36, R64, R65
Changed signal ALCLR to IN13
Changed signal INDX2 to OUT13

PCB1



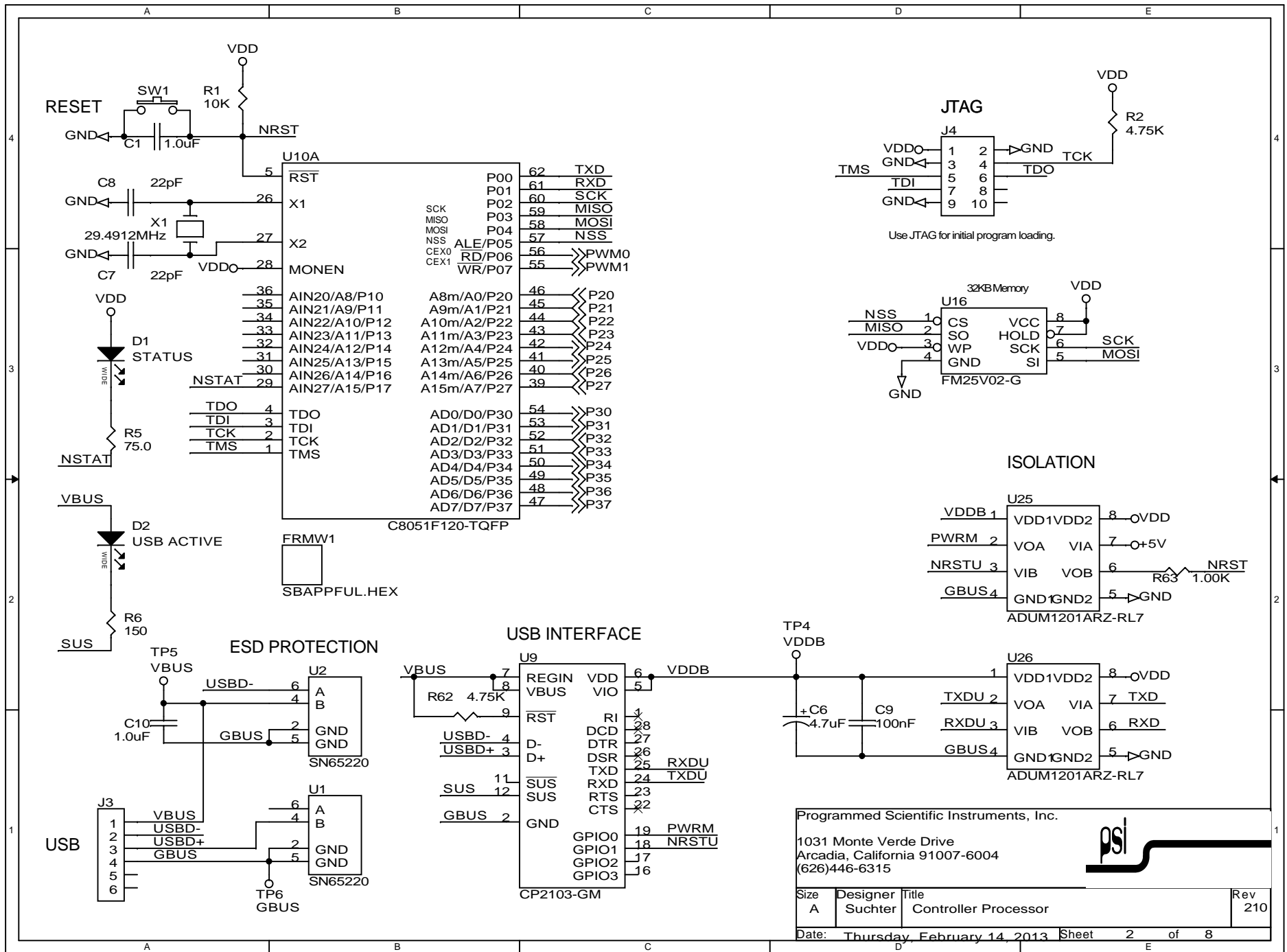
SBCTV209

Programmed Scientific Instruments, Inc.


1031 Monte Verde Drive
Arcadia, California 91007-6004
(626)446-6315



Size	Designer	Title	Rev
A	Suchter	ShopBot Controller	210
Date: Thursday, February 14, 2013			Sheet 1 of 8

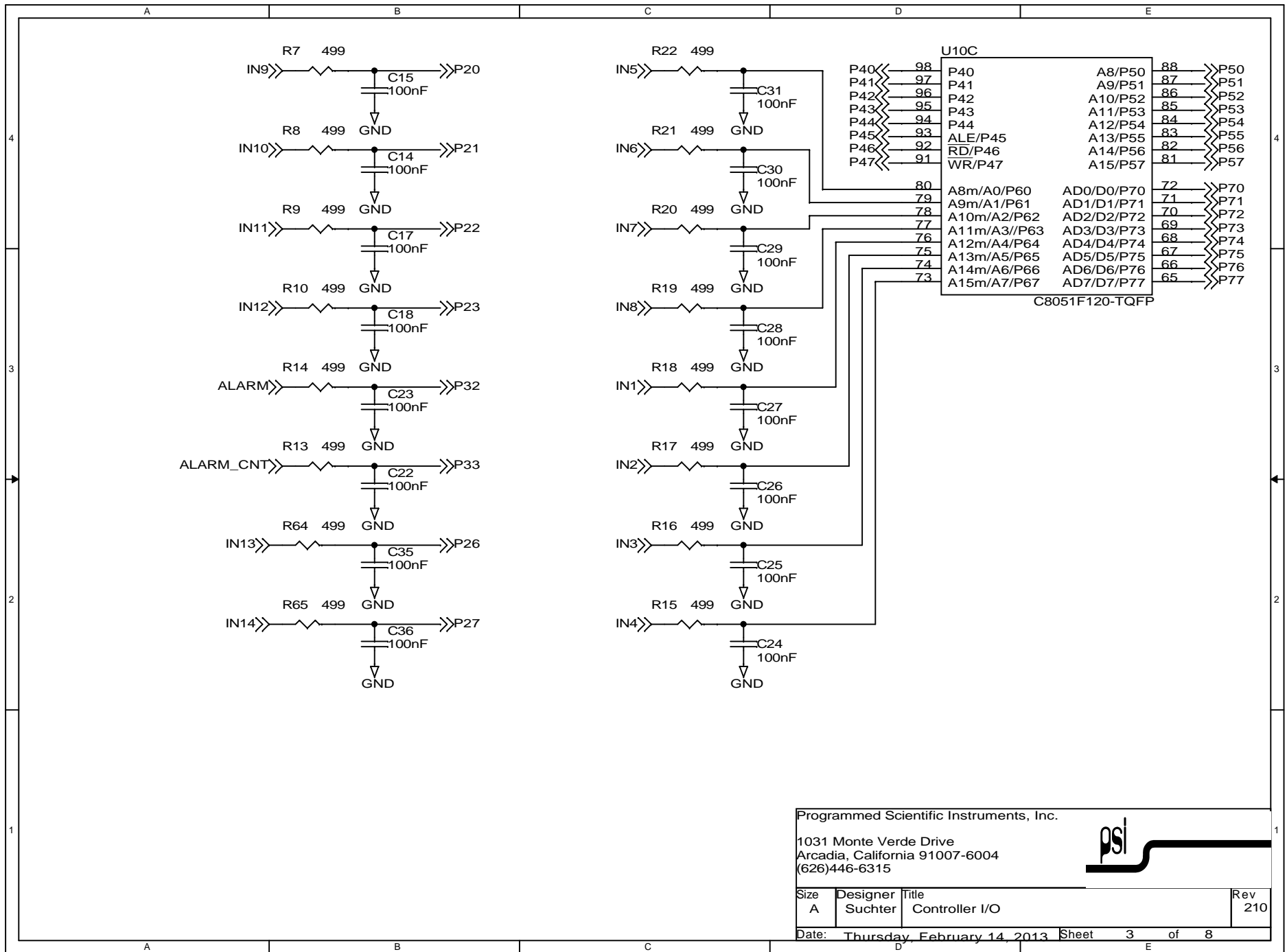


Programmed Scientific Instruments, Inc.
 1031 Monte Verde Drive
 Arcadia, California 91007-6004
 (626)446-6315



Size A	Designer Suchter	Title Controller Processor	Rev 210
-----------	---------------------	-------------------------------	------------

Date: Thursday, February 14, 2013 Sheet 2 of 8



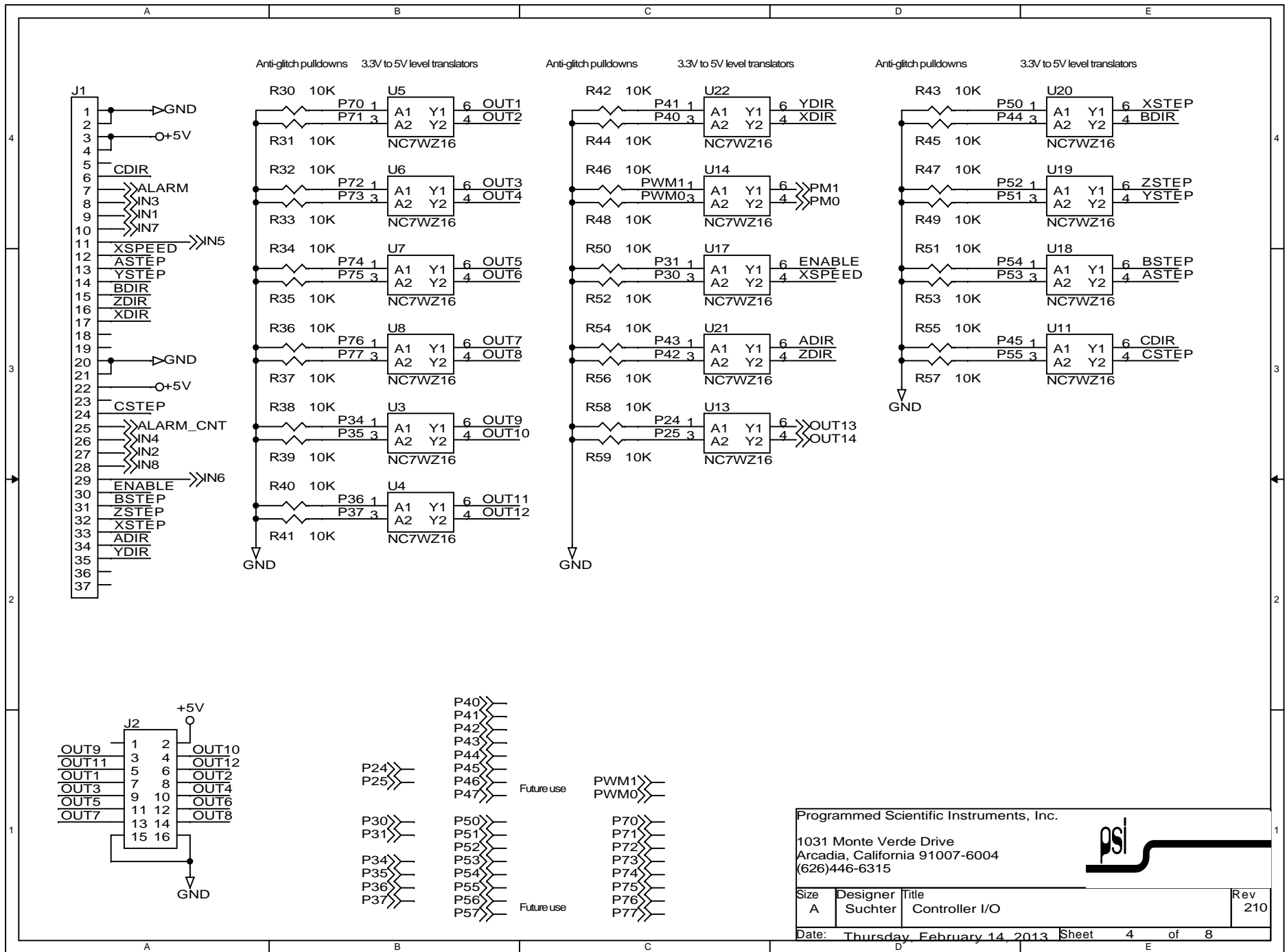
Programmed Scientific Instruments, Inc.

1031 Monte Verde Drive
Arcadia, California 91007-6004
(626)446-6315



Size A	Designer Suchter	Title Controller I/O	Rev 210
-----------	---------------------	-------------------------	------------

Date: Thursday, February 14, 2013 Sheet 3 of 8

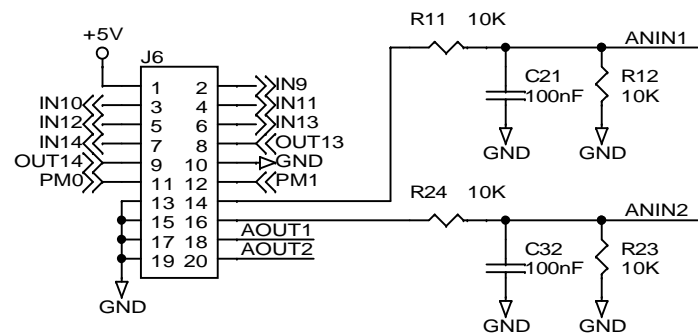
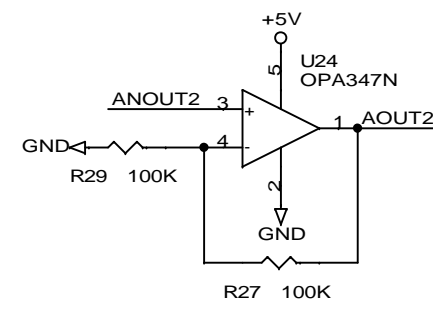
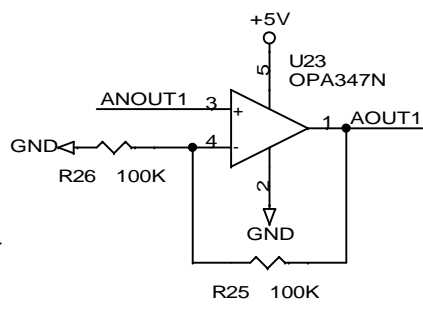
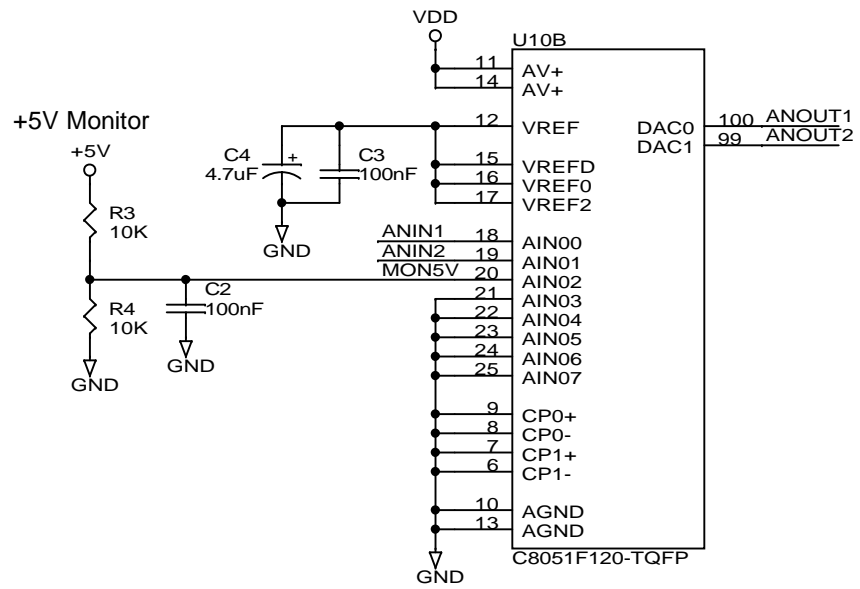


Programmed Scientific Instruments, Inc.


1031 Monte Verde Drive
 Arcadia, California 91007-6004
 (626)446-6315



Size A	Designer Suchter	Title Controller I/O	Rev 210
Date: Thursday, February 14, 2013			Sheet 4 of 8

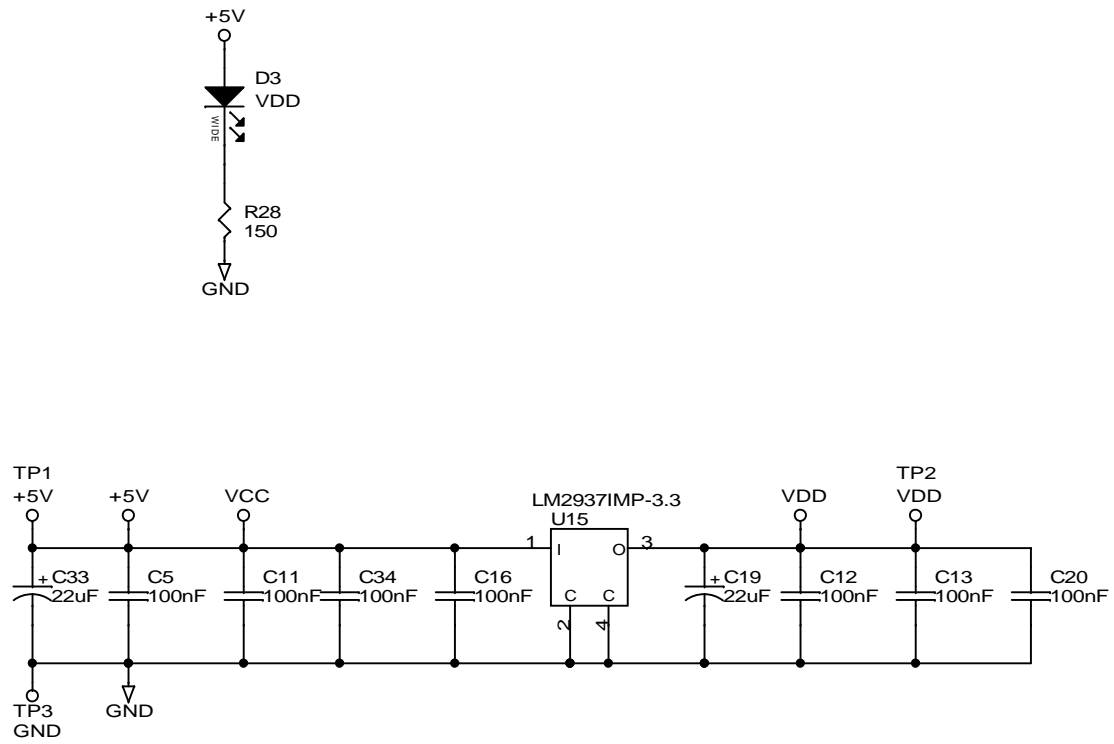


Programmed Scientific Instruments, Inc.
 1031 Monte Verde Drive
 Arcadia, California 91007-6004
 (626)446-6315



Size A	Designer Suchter	Title Controller Analog I/O	Rev 210
-----------	---------------------	--------------------------------	------------

Date: Thursday, February 14, 2013 Sheet 5 of 8



Programmed Scientific Instruments, Inc.
 1031 Monte Verde Drive
 Arcadia, California 91007-6004
 (626)446-6315



Size A	Designer Suchter	Title Controller Power Supply	Rev 210
-----------	---------------------	----------------------------------	------------