

1



LASER POINTER  
INSTALLATION

DESKTOP MODELS



## 2

## Items Included

1 - Laser Pointer Body

1 - Laser Pointer Mounting Bracket

1 - Wago Tool

1 - 2.5mm Allen Key

2 - Flat Head M4 x 10mm Screws

3 - 1/2" x 1/2" 3M VHB Tape Pieces

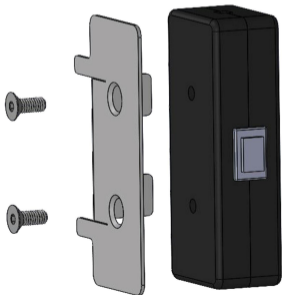
### 3

## Bracket Assembly

Assemble bracket with the two tabs facing the front of the Laser pointer body. This will allow the laser to be mounted to the YZ Carriage carriage.

Attach the bracket using the the two flat head M4 x 10mm screws and the provided 2.5mm Allen wrench.

**DO NOT OVERTIGHTEN SCREWS**



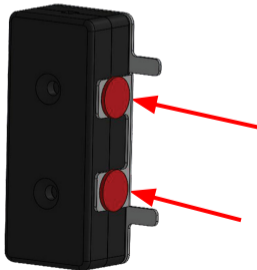
## 4 Applying Adhesive

Remove two of the red double stick dots from the wax paper.

Next peel the backing off of the two tabs of double stick tape.

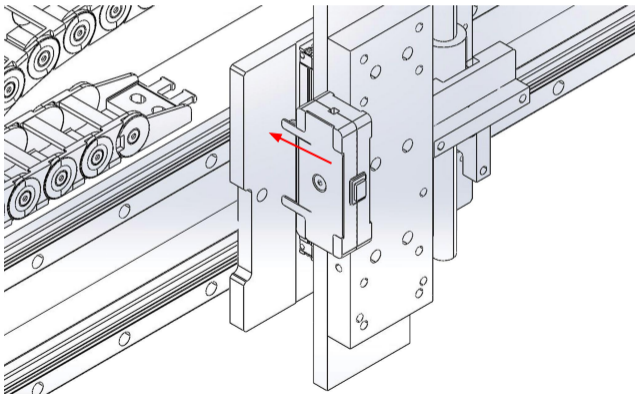
Place the two tabs of tape on the back of the bracket.

Remove the red plastic cover side of the backing by peeling off the top cover



## 5 Applying Adhesive

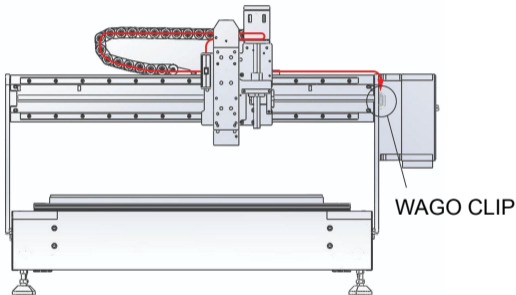
Make sure to clean the metal plate. Wipe off all dust, chips and oil to ensure the 3M tape will stick to the aluminum plate securely.



## 6

## Installation & Cable Management

Run wire through the E -Chain towards to Z - plate Wago Clip.  
Remove the Wago connector with a 2.5mm Allen key to access the wires.



All ShopBot models have a wago connector for attaching several  
Z Axis Zeroing Devices.

You will be using this connector to power your laser pointer.

## 7

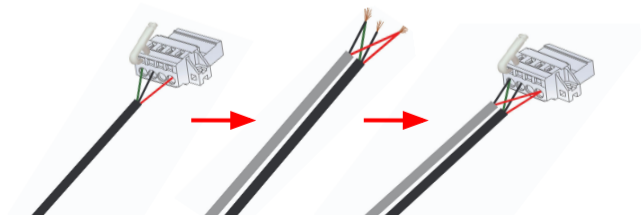
## Wago Wiring

The wiring for the wago connector will look like the first picture.

Insert the hook end of the provided white plastic wago tool into recessed portions of the clip. Take out the green wire first.

Twist the bare green wire and black wire from the laser pointer together and install wires into Z-zero plate Wago Clip.

Repeat this step for both red wires.



8



Your laser pointer is now installed.

Please visit

<https://www.shopbottools.com/support/documentation/accessories>

to download the Laser Pointer Files and Calibration Documentation.

Please contact ShopBot support if you have any issues.

1-888-680-4466  
ShopBot Tools, Inc.  
3333B - Industrial Drive  
Durham, NC 27704  
USA