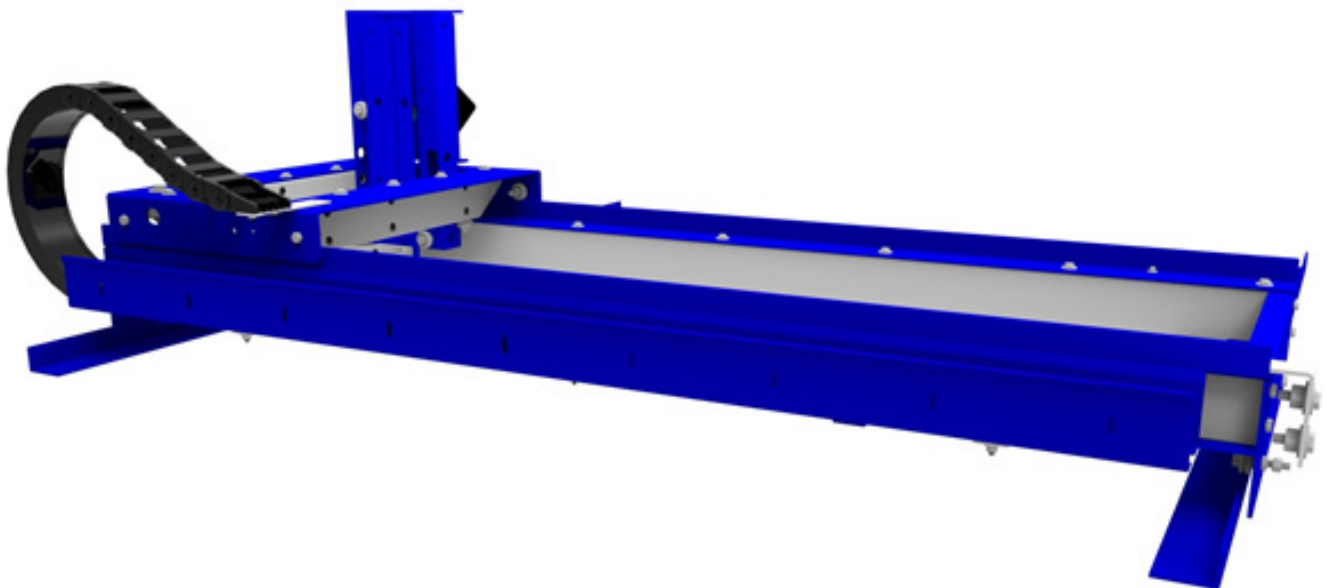




888-680-4466 • ShopBotTools.com

## PRT Y-Axis Cable Carrier



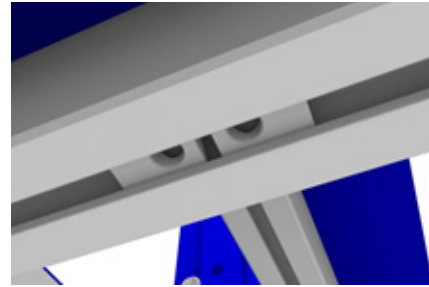
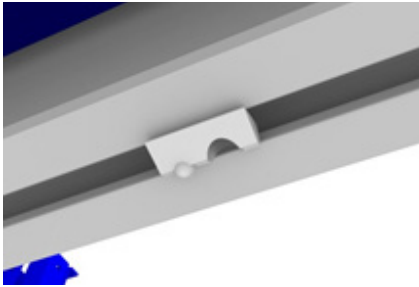


## Parts List

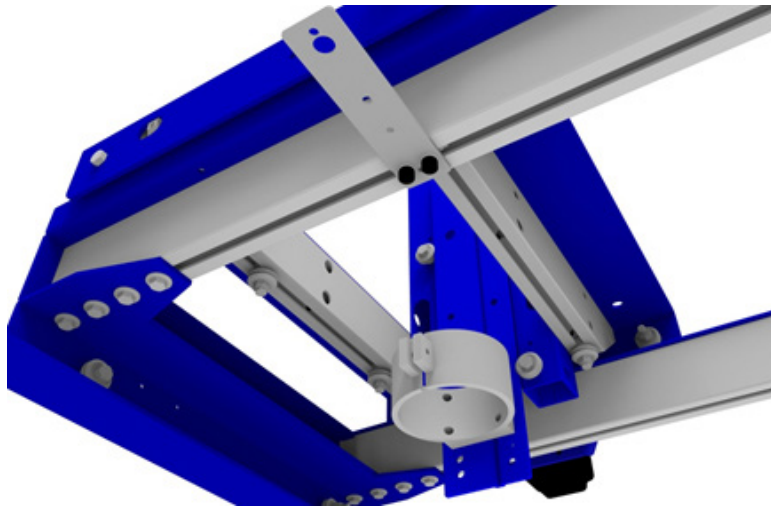
Part No.	Name	Qty	Measure
002158-01	E-Chain Trough 64	2	EA
002129	Echain Y72	1	EA
005076	Strap 1.5 x 6.1 (Used on extruded aluminum)	3	EA
005077	Bracket 90 degree 4.8 x 3.1(Used on unistrut)	2	EA
001789	SHCS 5/16-18 x 5/8"	4	EA
000728	T-nut Ball & Spring 5/16-18	4	EA
004487	Washer Schnorr 5/16	4	EA
000539	Fastener, Washer Lock #10 Z	4	EA
002246	FHSCS 10-32 x 3/4	4	EA
000629-01	Washer Flat #10 SAE Z	4	EA
002247	Nut Hex 10-32 Z	4	EA
000454	Nut Hex Nylock 1/4-20	8	EA
000525	HCS 1/4-20x2 1/2 Z5	4	EA
000030-01	Washer Flat 1/4 USS Z	12	EA
001600	FHSCS 1/4-20x3/4	4	EA

## Y Gantry with Aluminum Extrusion.

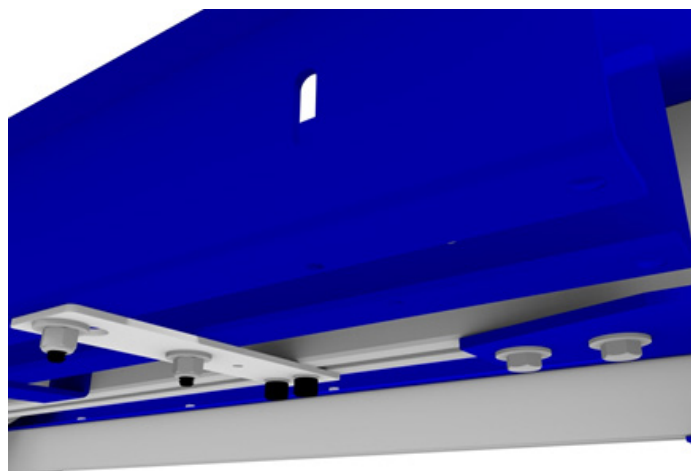
Insert T-nut (005076) into bottom of extrusion.



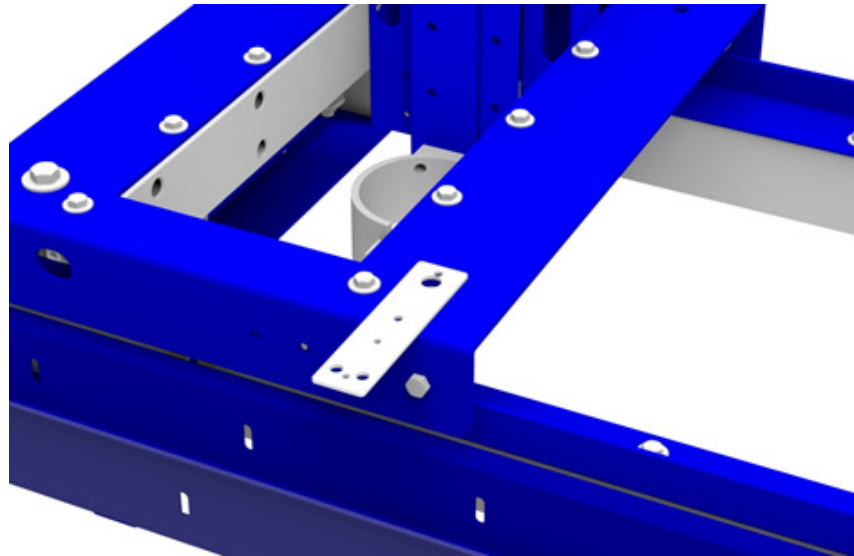
Install Strap (005076) onto T-nuts and secure with SHCS 5/16-18 x 5/8" (001789) and Schnorr Washer (004487). Leave bolts a little loose to allow the strap to slide.



Mount Echain Trough 64 (002158) to strap and secure with FHSCS 1/4-20x3/4 (001600), Nut Hex Nylock 1/4-20 (00454), and Washer Flat (000030). Center trough to the width of the gantry.



Mount the third Strap (005076) to the Y car using the existing 1/2" hex bolt from the wire guide.



Use a flat head screwdriver to unclip the levers in the E chain.

Mount Echain Y72 (002129) to trough and Y car strap with 10-32 hardware.

